

Assembly Instructions

Fit bleeding valve (B) & blind tap (C).

Use Carisa bleeding valve key (A) to turn bleeding valve (B) on final installation.

Accurately mark out bracket holes on wall using spirit level. Holes should be between sections as seen in drawing.

Drill four 8mm hole for each brackets (G).

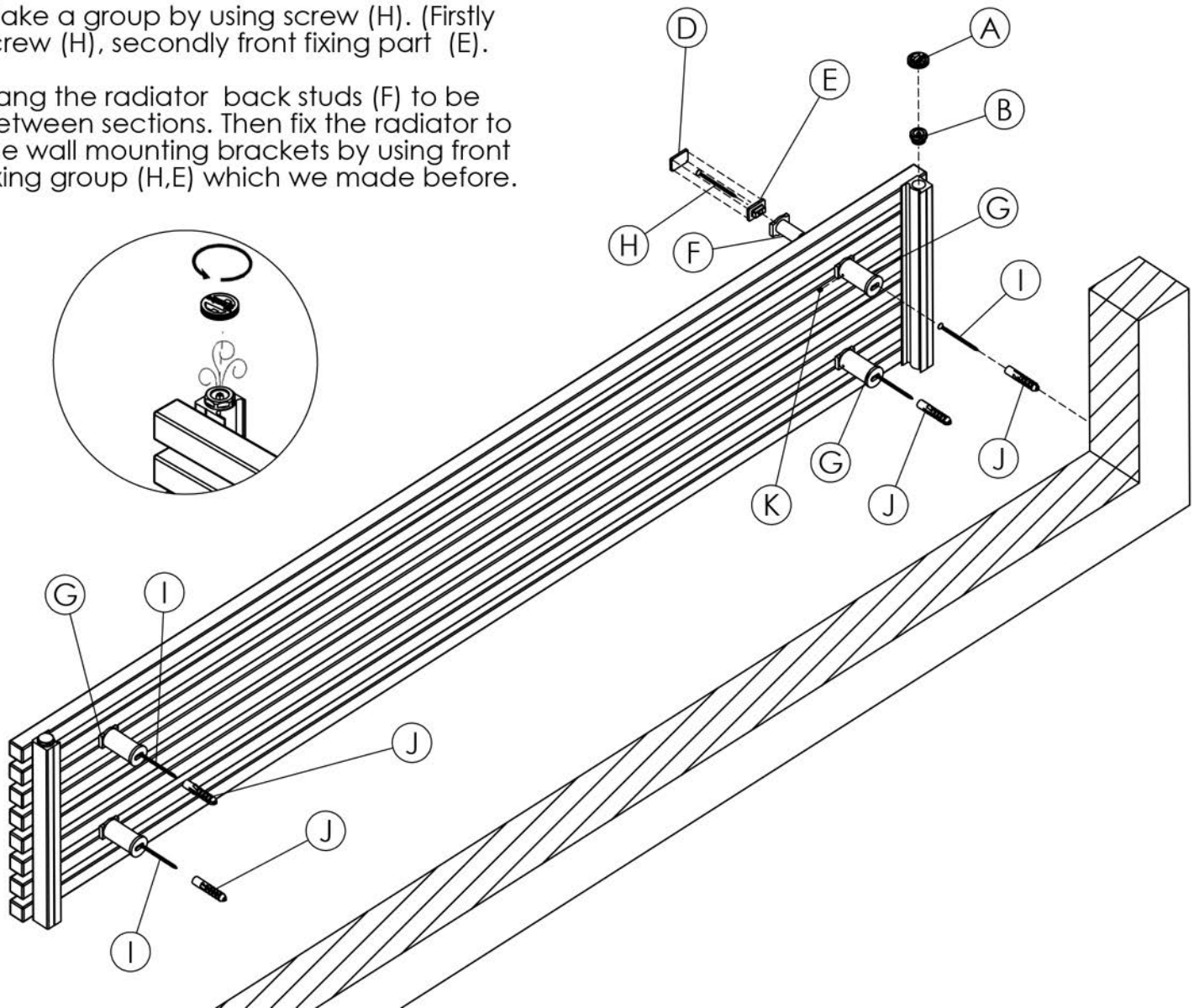
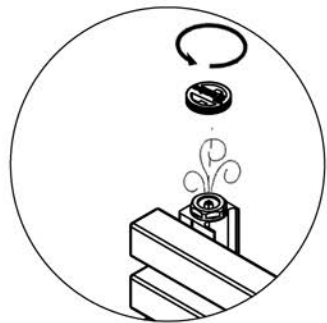
Screw brackets (G) into wall plugs (J) with 5,5mm diameter x 45mm screws (I).



Put the back studs (F) into the bracket holes (G).

Set the ideal wall distance by moving stud inside bracket and then fix with the screw (K).

Make a group by using screw (H). (Firstly screw (H), secondly front fixing part (E).

Hang the radiator back studs (F) to be between sections. Then fix the radiator to the wall mounting brackets by using front fixing group (H,E) which we made before.



Key	Component	Qty
	A Bleeding Valve Key	1
	B Bleeding Valve 1/2 "	1
	C Blind Tap	1
	D Front Cover	4
	E Front Fixing Part	4
	F Back Stud	4
	G Wall Mounting Bracket	4
	H Screw	4
	I Screw-5,5x45mm	4
	J Wall Plug	4
	K Grub Screw	4