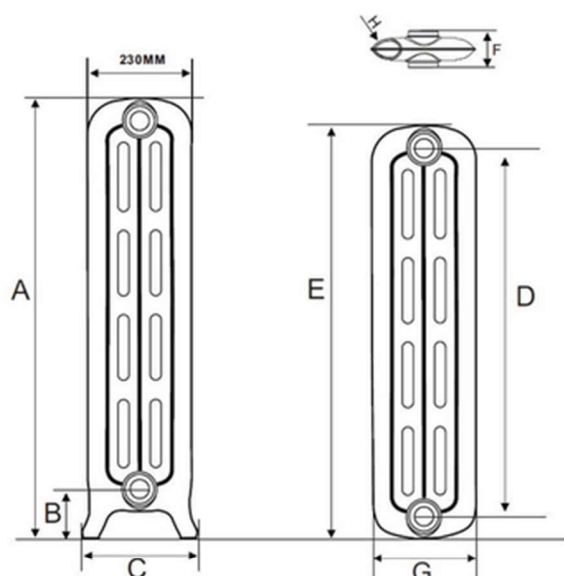


## Princess 3 Column Cast Iron Radiator 960mm



### DIMENSIONS

Leg Section Height	957 mm
Section Length	78 mm
Middle Section Height	900 mm
Section Depth	250 mm
Bottom Inlet To Floor	110 mm
Top Inlet To Floor	910 mm
Pipe Centres To Skirt	125 mm

### HEAT OUTPUT

Delta at 50°C	194 Watts / 662 BTUs
Delta at 30°C	99 Watts / 338 BTUs

### WEIGHT

Empty weight per leg section	17.2 KG
Empty weight per middle section	15.8 KG
Filled weight per leg section	21 KG
Filled weight per middle section	19.7 KG
Volume per leg section	3.9 L
Volume per middle section	3.9 L