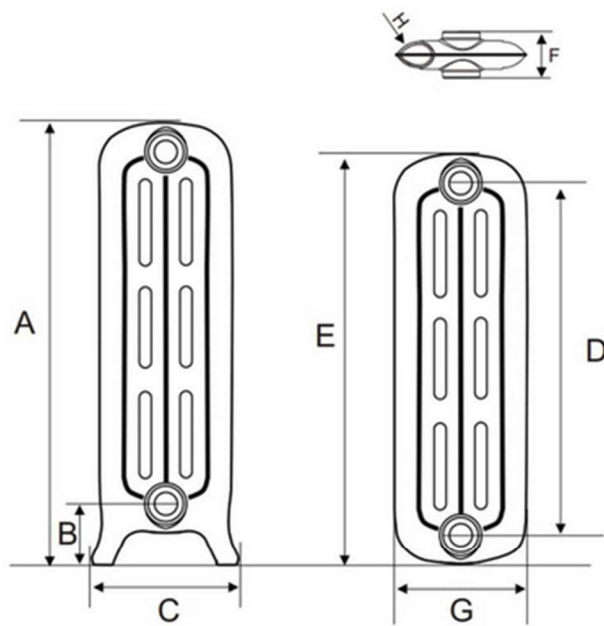


Princess 3 Column Cast Iron Radiator 760mm



DIMENSIONS

Leg Section Height	757 mm
Section Length	78 mm
Middle Section Height	700 mm
Section Depth	250 mm
Bottom Inlet To Floor	110 mm
Top Inlet To Floor	710 mm
Pipe Centres To Skirt	125 mm

HEAT OUTPUT

Delta at 50°C	150 Watts / 512 BTUs
Delta at 30°C	77 Watts / 263 BTUs

WEIGHT

Empty weight per leg section	14.1 KG
Empty weight per middle section	12.7 KG
Filled weight per leg section	15.8 KG
Filled weight per middle section	15.8 KG
Volume per leg section	3.1 L
Volume per middle section	3.1 L