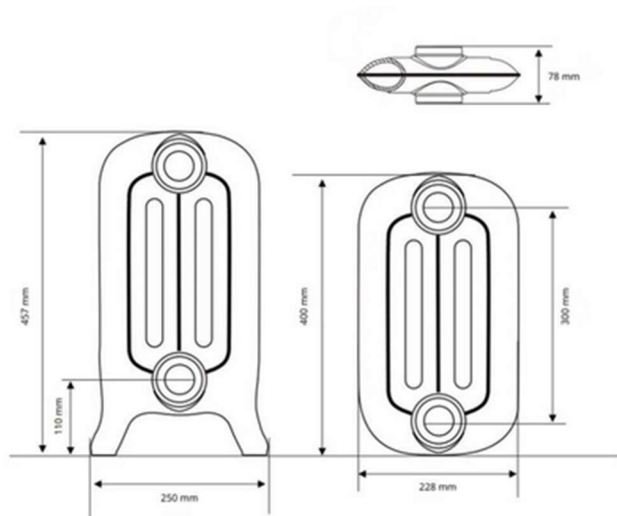


## Princess 3 Column Cast Iron Radiator 460mm



### DIMENSIONS

Leg Section Height	457 mm
Section Length	78 mm
Middle Section Height	400 mm
Section Depth	250 mm
Bottom Inlet To Floor	110 mm
Top Inlet To Floor	410 mm
Pipe Centres To Skirt	125 mm

### HEAT OUTPUT

Delta at 50°C	88 Watts / 300 BTUs
Delta at 30°C	45 Watts / 154 BTUs

### WEIGHT

Empty weight per leg section	8.6 KG
Empty weight per middle section	7.6 KG
Filled weight per leg section	10.5 KG
Filled weight per middle section	9.5 KG
Volume per leg section	1.9 L
Volume per middle section	1.9 L