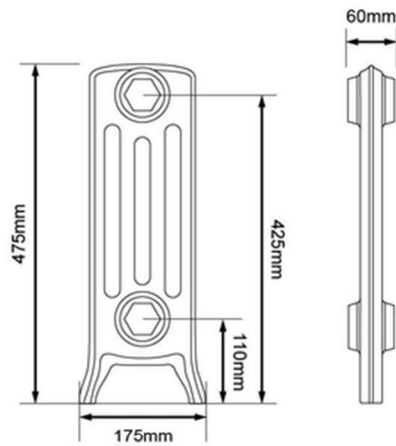


Edwardian Four Column Cast Iron Radiator 480mm



DIMENSIONS

Leg Section Height	475 mm
Section Length	60 mm
Middle Section Height	412 mm
Section Depth	175 mm
Bottom Inlet To Floor	110 mm
Top Inlet To Floor	425 mm
Pipe Centres To Skirt	87.5 mm

HEAT OUTPUT

Delta at 50°C	63 Watts / 215 BTUs
Delta at 30°C	33 Watts / 113 BTUs

WEIGHT

Empty weight per leg section	4.6 KG
Empty weight per middle section	4.2 KG
Filled weight per leg section	5.6 KG
Filled weight per middle section	5.2 KG
Volume per leg section	1.0 L
Volume per middle section	1.0 L