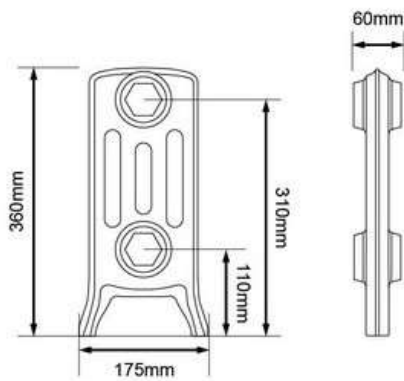


Edwardian Four Column Cast Iron Radiator 360mm



DIMENSIONS

| | |
|-----------------------|---------|
| Leg Section Height | 360 mm |
| Section Length | 60 mm |
| Middle Section Height | 300 mm |
| Section Depth | 175 mm |
| Bottom Inlet To Floor | 110 mm |
| Top Inlet To Floor | 310 mm |
| Pipe Centres To Skirt | 87.5 mm |

HEAT OUTPUT

| | |
|---------------|---------------------|
| Delta at 50°C | 47 Watts / 160 BTUs |
| Delta at 30°C | 25 Watts / 85 BTUs |

WEIGHT

| | |
|----------------------------------|--------|
| Empty weight per leg section | 3.7 KG |
| Empty weight per middle section | 3.3 KG |
| Filled weight per leg section | 4.2 KG |
| Filled weight per middle section | 3.8 KG |
| Volume per leg section | 0.5 L |
| Volume per middle section | 0.5 L |